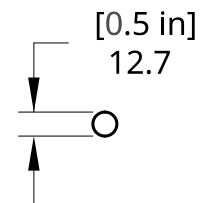
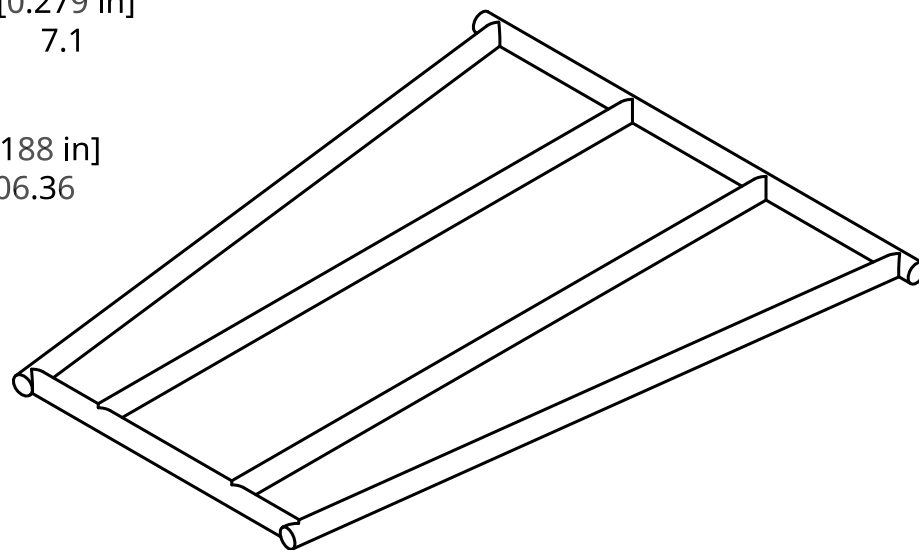
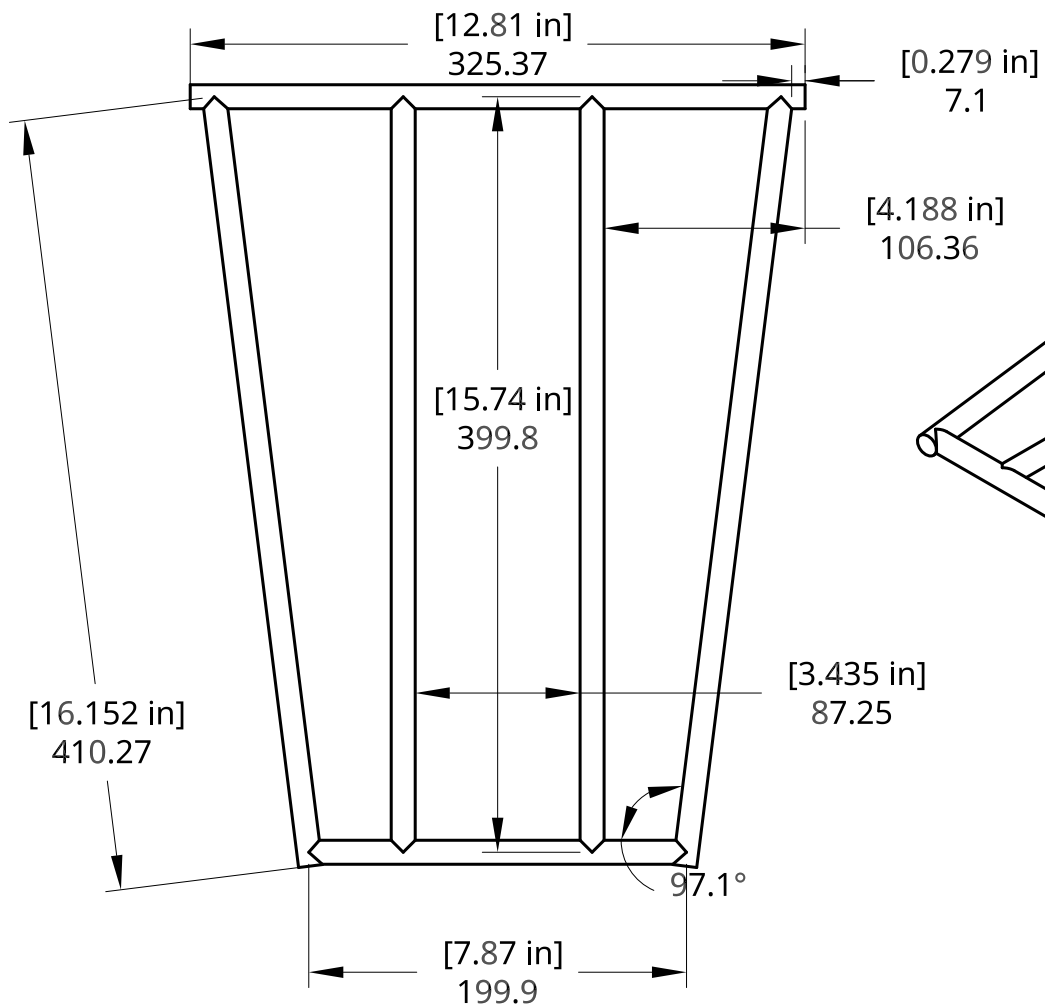


2

1



B

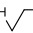

B

A

A

2

1

UNLESS OTHERWISE SPECIFIED, DIMENSIONS ARE IN MILLIMETERS ANGULAR = ± ° SURFACE FINISH  DO NOT SCALE DRAWING BREAK ALL SHARP EDGES AND REMOVE BURRS THIRD ANGLE PROJECTION 	DRAWN	ROB MACKENZIE	06/16/2020	TITLE	
	CHECKED	Dio			
	APPROVED				
	MATERIAL	FINISH		SIZE	REV.
				A	
				SCALE	1:4
				WEIGHT	
				SHEET	1 of 1