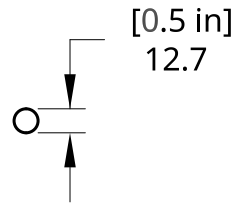
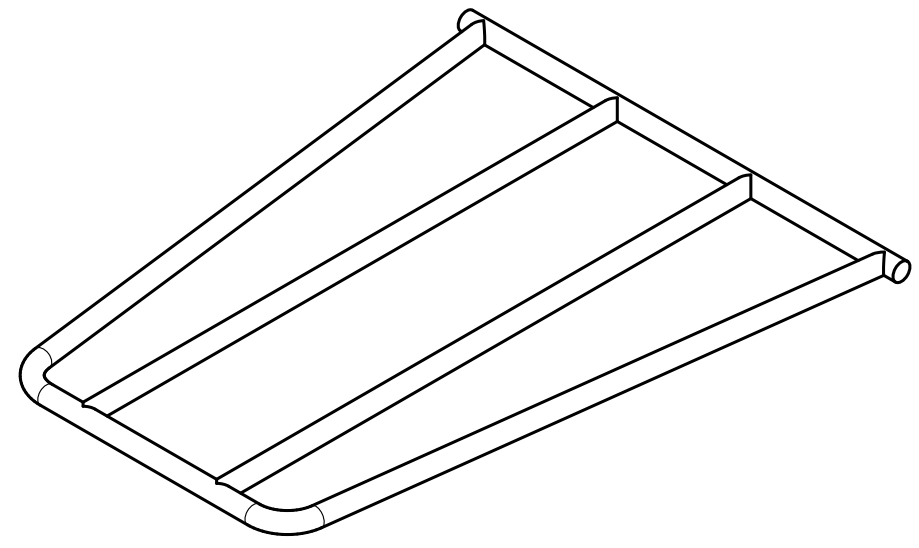
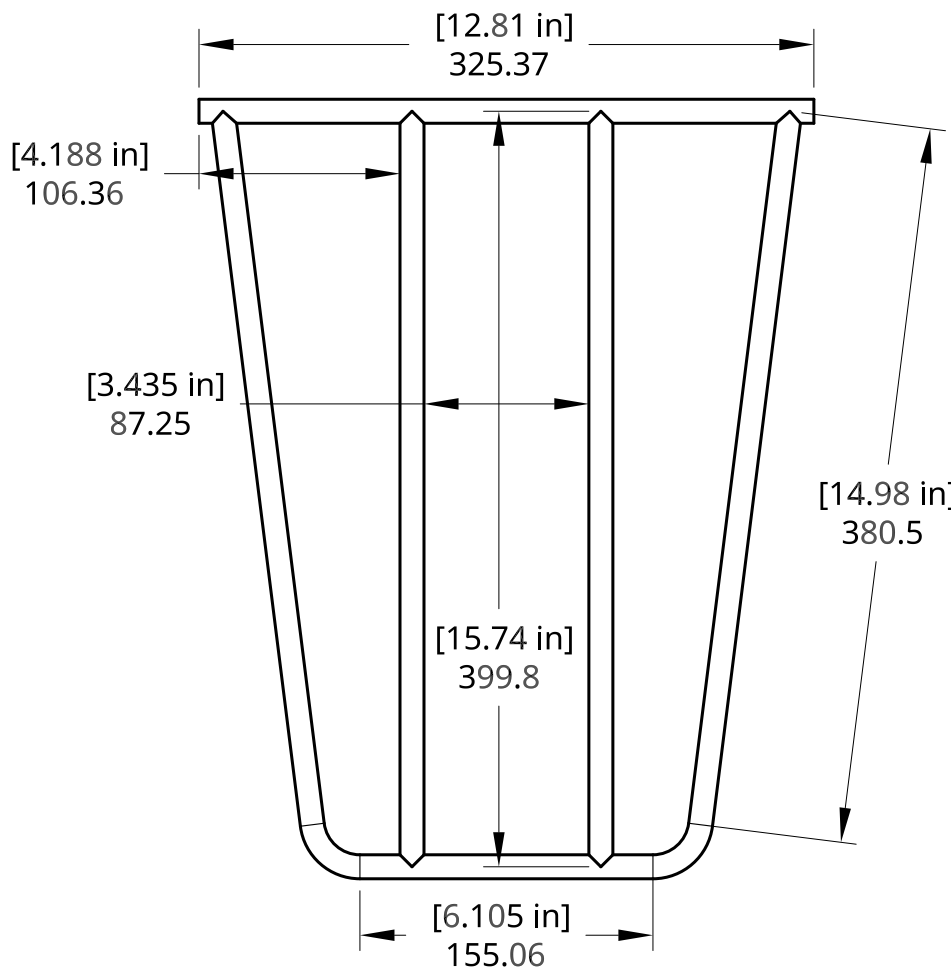
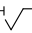



2

1



Bent bar total length 997.42 mm [39.268 in]

UNLESS OTHERWISE SPECIFIED, DIMENSIONS ARE IN MILLIMETERS ANGULAR = ± ° SURFACE FINISH  DO NOT SCALE DRAWING BREAK ALL SHARP EDGES AND REMOVE BURRS THIRD ANGLE PROJECTION 	DRAWN	ROB MACKENZIE	06/16/2020	TITLE		
	CHECKED					
	APPROVED					
	MATERIAL	FINISH		SIZE A	DWG NO.	REV.
				SCALE 1:4	WEIGHT	SHEET 1 of 1

2

1

B

B

A

A